



CF-12V2



CAREFREE RECHARGEABLE - LEAD ACID

Product Name	Sealed Lead Acid(SLA)
Technology	AGM

APPLICATIONS

Airports; Emergency; Industrial; Medical;
Military; Navigation; Railroad Signals;
Residential; Security; Specialized Products;
UPS/Lighting

PERFORMANCE SPECIFICATIONS

Voltage (Volts)	12
Capacity (Amp-Hours)	2

DIMENSIONS AND WEIGHT

Width/Diameter (Inches)	1.38
Length/Depth (Inches)	7.01
Height/Thickness (Inches)	2.4
Weight (Pounds)	2.18

PRODUCT NOTES

Terminal is tin plated brass, ABS case material

SPECIFICATIONS CF-12V2

Nominal Voltage 12V

Nominal Capacity at 77°F (25°C)

Voltage readings are per cell

20 Hour Rate

(0.10 amps to 1.75 volts)..... 2.00 ampere hours

10 Hour Rate

(0.18 amps to 1.75 volts)..... 1.80 ampere hours

5 Hour Rate

(0.30 amps to 1.75 volts)..... 1.50 ampere hours

1 Hour Rate

(1.30 amps to 1.60 volts)..... 1.30 ampere hours

1/2 Hour Rate

(2.10 amps to 1.60 volts)..... 1.05 ampere hours

Max. Physical Size:

Length 7.01 inches (178mm)

Width 1.38 inches (35mm)

Height (excluding terminals) 2.40 inches (61mm)

Height (including terminals) 2.64 inches (67mm)

Weight: 2.18 lbs (.99kg)

Energy Density

(20 Hour Rate) 1.04 watt hrs/cu in

(20 Hour Rate) 13.19 watt hrs/lbs

Operating Temperature Range:

Discharge -60°F to +140°F (-51°C to +60°C)

Charge 0°F to +120°F (-18°C to +49°C)

Recharging Methods:

Float Charging: Constant Potential Source of 13.6 to 13.8 volts continuously.

Routine Charging: Constant Potential Source of 14.5 to 14.9 volts with a charging current of 0.8 ampere maximum.

Terminal: Standard is tin plated brass, positive terminal is

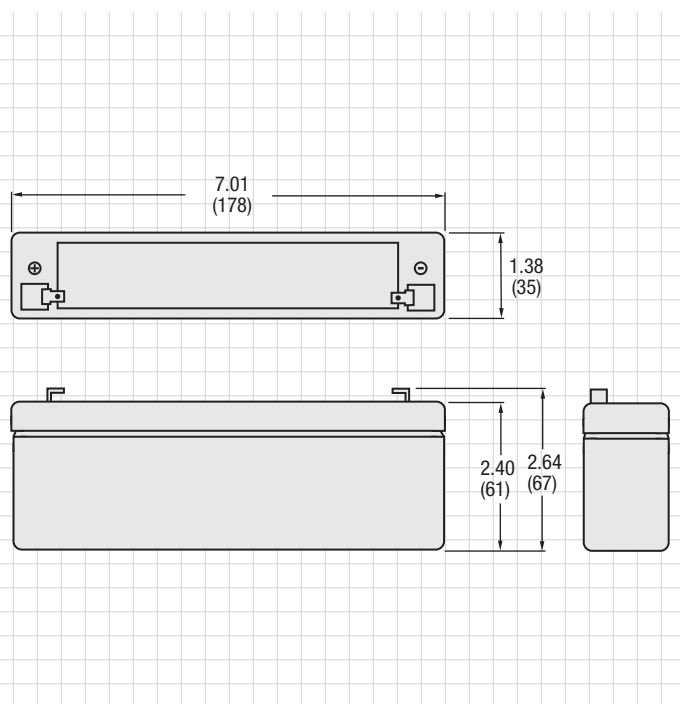
0.030 stock by 0.187 wide, negative terminal is

0.030 stock by 0.187 wide, mates with Amp Faston series or equal.

Case Material: ABS



PRODUCT SCHEMATIC



Above data are average values which can be obtained within 3 charge/discharge cycles. These are not minimum values.